

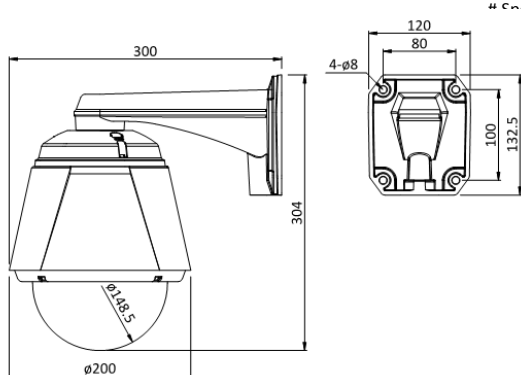
2M X30 AHD PTZ Camera



Feature

- 2M X30 AHD PTZ Camera
- X360 Zoom Control(Optical X30 / Digital X12)
- MIN. Illuminance : 0.025 Lux(B/W) @ DSS On
- True Day & Night(ICR)
- BLC / WDR / De-Fog / Noise Reduction
- Image Stabilization
- 8 Privacy Masks with Spherical Coordinates
- Super Speed(500°/SEC.) with 360° Endless Pan Rotation
- The Shortest Path with Vector Drive Technology
- Micro Control(0.05°/SEC.) with Micro Stepping Control Technology
- 209 Presets / 8 Patterns / 10 Swings / 8 Groups
- Independent Preset Parameter Configuration
- Presets with Labels
- 8 Schedule Functions with RTC(Real Time Clock)
- AHD 2.0
- Simultaneous AHD & CVBS Output
- OSD Menu with Password Protection
- 3 Sensor Inputs / 1 Alarm Output
- Built-in Fan & Heater
- Dual Power Input(AC 24V or DC 12V)

Dimension



Specification

Model	HAP-CZ30W	
Image Sensor	1/3" Panasonic CMOS Sensor	
Pixel	2,000K Pixels	
Zoom	Optical X30 / Digital X12	
Video Signal to Noise	More than 50 dB	
Focal Length	F1.6 ~ 4.7, f=4.3 ~ 129.0mm	
Angle of View	Horizontal : 58.9°(Wide) ~ 2.11°(Tele)	
MIN. Illuminance	0.5 Lux(Color) / 0.1 Lux(B/W) @ DSS Off 0.125 Lux(Color) / 0.025 Lux(B/W) @ DSS On	
Day & Night	Auto / Day / Night(ICR)	
Focus	Auto / Manual / Semi-Auto	
AE Mode	Auto / Iris / Shutter / Manual	
White Balance	Auto / Indoor / Outdoor / Manual(Red, Blue Gain Adjustable)	
BLC	On / Off	
WDR	On / Off	
De-Fog	On / Off	
Aperture	Adjustable	
Noise Reduction	Auto / Off / 1 ~ 3 Level	
Image Stabilization	On / Off	
Privacy Zone	8 Masks with Spherical Coordinate	
Movement Range	Pan	360°(Endless)
	Tilt	90°
	Pre-set	500°/SEC.
Speed	Jog	0.05° ~ 360°/SEC.(Proportional to Zoom)
	Swing	1° ~ 180°/SEC.
	Pre-set	209 Presets(Label, Independent Camera Parameter Configuration)
Pattern	8 Patterns(880 Commands(Approximate 4 Minutes) / 1 Pattern)	
Swing	10 Swings	
Group	8 Groups	
	(MAX. 40 Actions with The Combination of Preset, Pattern and Swing)	
Schedule Function	8 Schedule Functions with RTC(Real Time Clock)	
Other Functions	Auto Flip, Auto Parking, Power-up Action and Others	
Video Output	HD	AHD 2.0 NTSC : 1920x1080p30, 1280x720p60, 1280x720p30 PAL : 1920x1080p25, 1280x720p50, 1280x720p25
	Analogue	1.0 Vp-p / No Video Output when WDR is ON.
RTC(Real Time Clock)	Yes(RTC Battery Backup Time : Approximate 2 Weeks)	
Communication	RS-485	
Protocol	Pelco-D, Pelco-P Selectable	
OSD	4 Languages(English, Polish, French, Italian) OSD Protection with Password	
Sensor Input	3 Inputs, Photo-Coupler Type, DC 5V ~ 12V	
Alarm Output	1 Output, Relay Output, MAX. Load DC 24V, 1.0A or AC 125V, 0.5A	
Fan	Always ON	
Heater	Operation Start from Internal Temperature 10 °C / 50°F	
Operating TEMP.	-30°C ~ 50°C / -22°F ~ 122°F	
Power Input	Dual Power Support / DC 12V, 1.8A or AC 24V, 1.8A	
Material	Dome	Polycarbonate
	Internal	Polycarbonate, ABS
	External	Aluminum
Dimension	Dome	∅148.5mm / ∅5.9"
	Wall Type	300(L) x 200(W) x 304(H) [mm] / 11.9(L) x 7.9(W) x 12.0(H) ["]
	Ceiling Type	200(∅) x 402.8(H) [mm] / 7.9(∅) x 15.9(H) ["]
Weight	Wall Type	3.4 kg / 7.5 lb
	Ceiling Type	3.6 kg / 7.9 lb

* Specification & Design are subject to change without prior notice.